

# APPC-7XPL

(R23-7261)

Android Panel PC



## Product Overview

The APPC-7XPL (R23-7261) is a 7-inch Android Panel PC running on Android 12. Powered by the quad-core Cortex-A55 CPU and Mali-G52 GPU (RK3568), this device ensures seamless operation and advanced graphical capabilities. With 4GB RAM and 16GB storage, multitasking becomes efficient, while IEEE 802.3at PoE+ support streamlines power and connectivity. Installation is a breeze with VESA mounting capability and a single PoE+ Ethernet cable, eliminating wiring complexities. Connectivity is crucial, offering various I/O ports for peripheral devices, making it ideal for retail, corporate, and industrial settings. The 7-inch touchscreen interface, driven by Android, ensures intuitive navigation, complemented by dual-sided RGB LED status lights. This Android Panel PC supports 10-point PCAP touch functionality and has received a non-glare treatment for enhanced visibility.



Powered by Android 12, the APPC-7XPL offers access to the full range of advantages that the Android platform provides, including robust security features and great flexibility.



Revolutionise your user experience with the APPC-7XPL, fuelled by a new powerful quad-core Cortex-A55 CPU and Mali-G52 GPU, this Android Panel PC delivers high performance and advanced graphical capabilities.



Enjoy a simplified installation process. The APPC-7XPL is easy to install with its VESA mounting frame and Power over Ethernet+. You will be up and running in no-time.



From room signage to point-of-sale solutions, easily employ efficient signalling via the 2-sided full RGB LED bars.

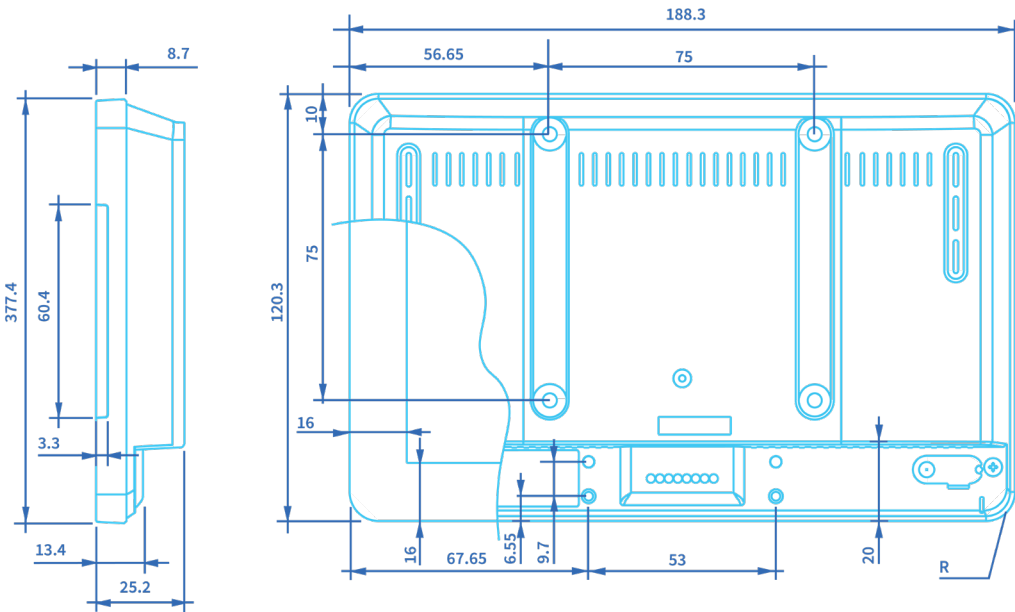


The APPC-7XPL comes with a new non-glare coating, contributing to a more comfortable viewing experience by reducing reflections, enhancing visibility and diminishing eye strain.

# APPC-7XPL (R23-7261)

Article code: 5007550

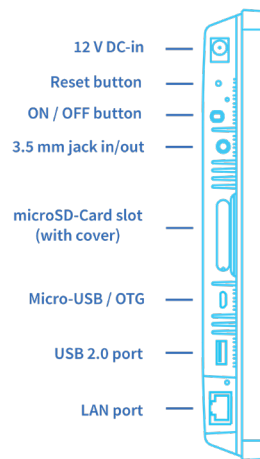
## Technical Drawing



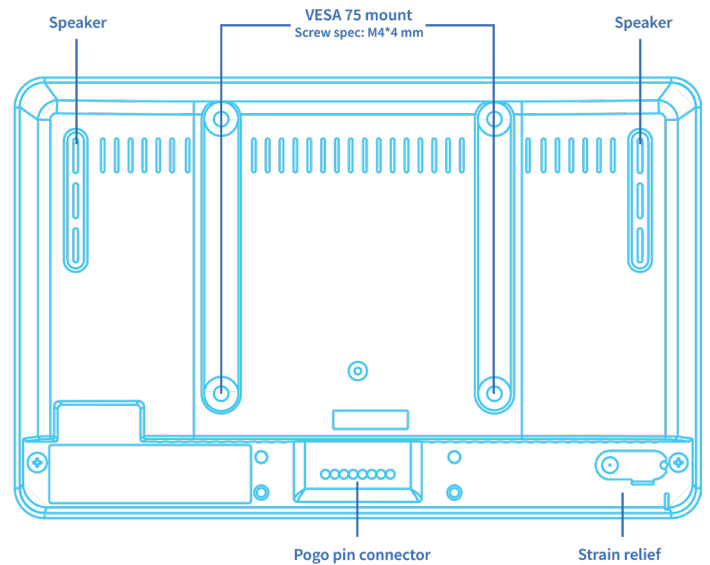
## Sustainability

At ProDVX we are committed to doing our part when it comes to the environment. Our products are designed to have the lowest possible impact on the environment, from inception to product retirement. We also strive to operate our offices and warehouse in a carbon-neutral manner. Our aim is to lead the way in conducting responsible business in the digital signage hardware industry.

## I/O Overview



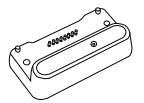
Bottom view



Backside

## Optional Accessories

- FM-07\_(8080970) Flush mount for in-wall mounting
- GM-75\_(8080850) VESA 75 compatible glass mount
- DS-75\_(8075000) VESA 75 compatible desk stand
- DS-10\_(8010100) VESA 75/100 compatible desk stand
- PS-75\_(8086100) VESA 75 compatible triangular stand



Camera  
(9010200)



NFC module  
(9010100)



Barcode scanner  
(9010300)

\* Compatible with all ProDVX VESA 75 stands, mounts & brackets.

# APPC-7XPL (R23-7261)

Article code: 5007550

## Product Specifications

Certification:

UKCA,CE,FCC,RoHS,REACH

### Performance

CPU model	RockChip RK3568
CPU type	Quad-core Cortex-A55
CPU speed	A55 - up to 2.0GHz
GPU type	Mali-G52-2EE
GPU speed	up to 950MHz
RAM	4GB
RAM type	LPDDR4
Storage	16GB
Storage type	eMMC
External storage	MicroSD-Card Slot (door)
OS	Android 12

### Special

PoE	IEEE 802.3at (PoE+)
IEEE 802.1x	LAN & WiFi, PEAP/TLS/TTLS
Cooling	Fanless
HDMI-in	N.A.
HDMI-out	N.A.
WiFi	802.11 a/b/g/n/ac
Bluetooth	5
LAN	10/100/1000 Mbps LAN
Audio internal	2 x 1 W
Audio external	3.5mm jack in/out
Microphone	YES
USB ports	1x USB 2.0 type A
OTG	1x USB 2.0 type micro
Other ports	N.A.
PoGo slots	1x (bottom)
NFC	via PoGo & USB
Camera	via PoGo & USB
Barcode scan	via PoGo & USB
LED	2 sided LED bar (RGB)
Operating hrs	24h / 7d
MTBF	35,000 hours demonstrated
Clock batt.	CR1220 Lithium metal, non rechargeable
Alternative OS	Debian 11
Power input	12 V / 2 A
Operating temp	0 ~ 40 degrees C
Storage temp	-10~55 degrees C
Humidity	0 ~ 95% non-condensing
Warranty	3 years
Orientation	Landscape,Portrait,Table Mode,Flushmount
SIM card slot	N.A.
Power usage	6 ~ 23 Watt
OSD language	Multi OSD language

### Panel

LCD	1024x600xRGB@60Hz
Type	TFT LCD
Size	7
Contrast	800 to 1
Viewing Angle	H140 / V130
Colours	8 bit LVDS (16.7M) 72%NTSC CIE1931
Response time	13 ms
Backlight	Edge-LED backlight
BLU	300 cd/m2
Cover glass	>6H - 1.4mm
Treatment	Non-glare
Haze	2~8%
Touch type	10 TP Pcap 10ms

### Frame

Size	188,1 x 120,3 x 25,2
Weight	360 g
Material	ABS+PC (Macrolon)
VESA	VESA 75
Color	Black

### Multimedia support

Image format	JPG,JPEG,PNG,BMP,GIF
Audio format	MP2,WMA,WAV,AAC,OGG,ASF,MP3
Video format	MPEG2,MPEG4,H.264,MP4,MPG