

APPC-15XP

(R23-7222)

Android Panel PC



Product Overview

The APPC-15XP (R23-7222) is a highly versatile 15.6-inch Android Panel PC designed to improve any solution. With its powerful RK3399 CPU and Android 11 operating system, this device offers high performance and seamless user experience. Equipped with Power over Ethernet technology, the APPC-15XP (R23-7222) allows for simple and flexible installation, eliminating the need for additional power cables. The device also features Pogo pin ports, enabling easy and secure connectivity with a wide range of peripherals, such as cameras, barcode scanners or LED modules. The APPC-15XP (R23-7222) boasts an extensive array of I/O ports, providing unparalleled flexibility for any application. Whether it's for digital signage, interactive kiosks, or point-of-sale, the APPC-15XP (R23-7222) can handle it all with ease. Upgrade your solution with the APPC-15XP (R23-7222) and enjoy the benefits of a highly versatile device that offers unmatched performance, flexibility, and durability.



Powered by Android 11, the APPC-15XP offers access to the full range of advantages that the Android platform provides, including robust security features and great flexibility.



Revolutionise your user experience with the APPC-15XP, fuelled by a powerful Rockchip dual-processor and Mali-T860 GPU, this Android Panel PC delivers high performance and advanced graphical capabilities.



Enjoy a simplified installation process. The APPC-15XP is easy to install with its VESA mounting frame and Power over Ethernet+. You will be up and running in no-time.



Unlock the full potential of the APPC-15XP by pairing it with our pogo pin accessories. Available accessories include an NFC reader, Barcode scanner, Camera and LED module.

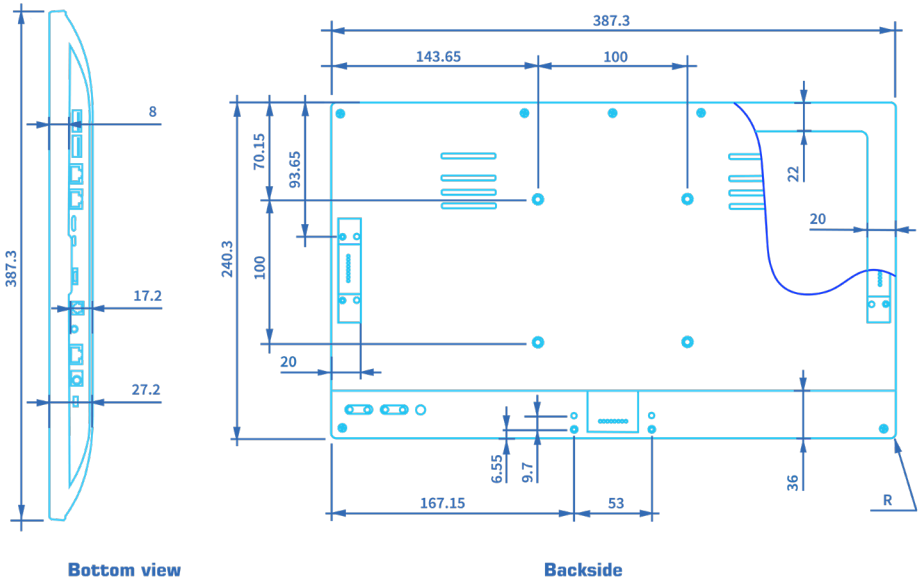


The APPC-15XP comes with a new non-glare coating, contributing to a more comfortable viewing experience by reducing reflections, enhancing visibility and diminishing eye strain.

APPC-15XP (R23-7222)

Article code: 5015210

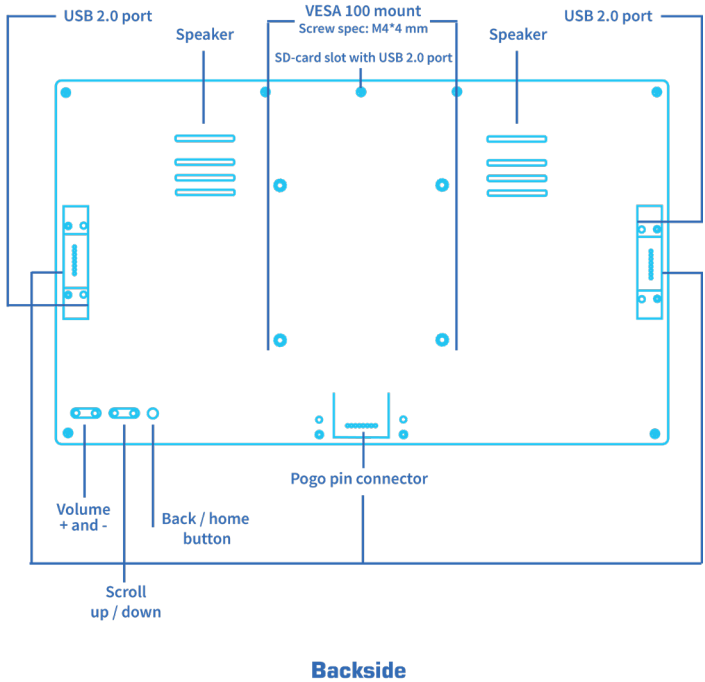
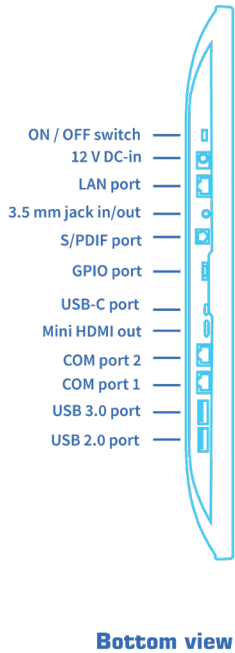
Technical Drawing



Sustainability

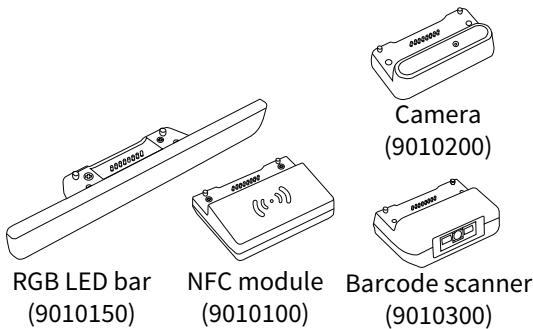
At ProDVX we are committed to doing our part when it comes to the environment. Our products are designed to have the lowest possible impact on the environment, from inception to product retirement. We also strive to operate our offices and warehouse in a carbon-neutral manner. Our aim is to lead the way in conducting responsible business in the digital signage hardware industry.

I/O Overview



Optional Accessories

- DS-15_(8010150) VESA 75/100 compatible desk stand
- DS-20_(8010200) VESA 100 compatible desk stand
- DS-25_(8010225) VESA 75 compatible desk stand
- DS-30_(8010300) VESA 75/100 compatible desk stand
- DS-40_(8010400) VESA 75/100 compatible desk stand



* Compatible with all ProDVX VESA 75 stands, mounts & brackets.

APPC-15XP (R23-7222)

Article code: 5015210

Product Specifications

Certification:

UKCA,CE,FCC,RoHS,REACH

Performance

CPU model	RockChip RK3399
CPU type	Dual-core Cortex-A72,Quad-core Cortex-A53
CPU speed	A53 - 1.4GHz,A72 - 1.8GHz
GPU type	MALI T860 / 3D Graphic Engine (4K)
GPU speed	up to 700MHz
RAM	4GB
RAM type	LPDDR4
Storage	16GB
Storage type	eMMC
External storage	SD-Card Slot (door)
OS	Android 11

Special

PoE	IEEE 802.3at (PoE+)
IEEE 802.1x	LAN & WiFi, PEAP/TLS/TTLS
Cooling	Fanless
HDMI-in	N.A.
HDMI-out	Yes, mini-HDMI out
WiFi	802.11 a/b/g/n/ac
Bluetooth	5
LAN	10/100/1000 Mbps, RJ45
Audio internal	2 x 3 W
Audio external	3.5mm jack in/out
Microphone	YES
USB ports	3x USB 2.0 type A,1x USB 3.0 type A
OTG	1x USB 3.0 type C
Other ports	GPIO,2x RS-232 (RJ45)
PoGo slots	3x (bottom/left/right)
NFC	via PoGo & USB
Camera	via PoGo & USB
Barcode scan	via PoGo & USB
LED	via PoGo
Operating hrs	24h / 7d
MTBF	45,000 hours demonstrated
Clock batt.	CR1220 Lithium metal, non rechargeable
Alternative OS	Android 9,Debian 11
Power input	12 V / 2 A
Operating temp	0 ~ 40 degrees C
Storage temp	-10~55 degrees C
Humidity	10 ~ 90% non-condensing
Warranty	3 years
Orientation	Landscape,Portrait,Table Mode
SIM card slot	N.A.
Power usage	10 ~ 23 Watt
OSD language	Multi OSD language

Panel

LCD	1920x1080xRGB@60Hz
Type	TFT LCD IPS
Size	15.6
Contrast	800 to 1
Viewing Angle	H170 / V170
Colours	6-bit, 262144 colours
Response time	30 ms
Backlight	Edge-LED backlight
BLU	400 cd/m2
Cover glass	>7H - 2mm
Treatment	Non-glare
Haze	2~8%
Touch type	10 TP Pcap 10ms

Frame

Size	387,3 x 240,3 x 27,2 mm
Weight	1300 g
Material	ABS+PC (Macrolon)
VESA	VESA 100
Color	Black

Multimedia support

Image format	JPG,JPEG,PNG,BMP,GIF
Audio format	AAC,ASF,MP2,OGG,WAV,WMA
Video format	3GP,ASF,AVI,DAT,FLV,MKV,MOV,VOB,WMV,MP4,MPG,RM,TS