

DS-D5SC3B-W Wireless Dongle



- Support Windows/Mac OS.
- Type-C interface plug-and-play.
- Support Wi-Fi 2.4G/5G dual frequency.
- Support up to 4K resolution.
- Support reverse control by Windows/Mac.
- Add NFC module to support NFC screen mirroring with Android phones.
- Support indirectly charge for laptops.
- Support quick screen mirroring on Hikvision Interactive Flat Panel.

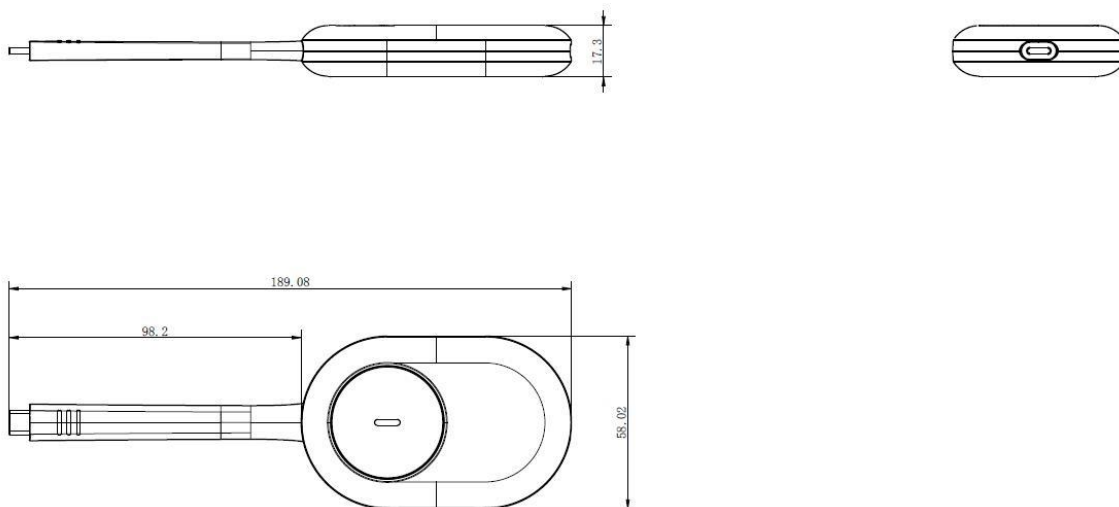
▪ Specification

Model		DS-D5SC3B-W
Product Model	Product Model	DS-D5SC3B-W
Display	Resolution	1080P/4K
Built-in System	Memory	512 MB
	Built-in Storage	4 GB
	net card	Built in Gigabit NIC, supporting 2.4G/5G.
Interface	Power Interface	Type-C, support CC communication and automatically switch charging direction, achieving 60W fast charging for laptops by adapter and 5V/500mA charging for mobile phones from laptops.
Power	Power Consumption	2.8 W
	Rated Power	5 V/900 mA
Working Environment	Working Temperature	0°C~40°C
	Working Humidity	10%~95% RH
General	Product dimensions	189 × 58 × 17 mm
	Package Dimensions (W × H × D)	235 × 90 × 30 mm
	Net Weight	90 g
	Gross Weight	210 g
	Packing List	Host × 1, Manual × 1, USB Type-A/Type-C adapter × 1
	Frame Rate	30 fps
	Transmission Delay	≤ 350 ms
	Wireless Transmission Protocol	IEEE 802.11 a/g/n/ac
	Encryption	AES
	NFC	ISO/IEC 14443-A protocol, 13.56 MHz, 106 Kbps
	Audio Parameters	48000 Hz sampling rate, 16 bit depth, ACC encoding, dual channel
	Video Parameters	10 bit color depth, H.264 encoding format
	USB Protocol	Support USB 2.0

▪ Available Model

DS-D5SC3B-W

▪ **Dimension**



Headquarters

No.555 Qianmo Road, Binjiang District,
Hangzhou 310051, China
T +86-571-8807-5998
www.hikvision.com



Follow us on social media to get the latest product and solution information.

